



LAUNDRY TRAY / WET BAR DRAIN SYSTEM

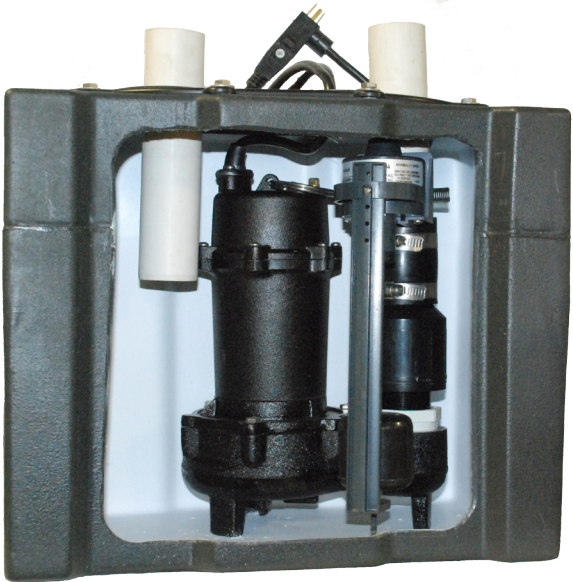
Model Number: RLT300V



RAYBEND's Heavy Duty Laundry Tray / Wet Bar System is a pre-assembled 1/3 HP Effluent drain pump with a basin which has 1-1/2" connections and 3/4" solids handling capabilities. RAYBEND's Effluent Pumps are designed for waste-water systems and can handle small debris like laundry lint. These drain pumps are suitable for wet bar sinks, laundry trays, dehumidifiers, utility sinks and gray waste-water drainage below gravity lines.

FEATURES

- Rugged 1/3 HP Cast Iron Effluent Pump for exceptional long life.
- Pre-assembled system for fast Installation
- Highly-reliable vertical float switch for completely AUTOMATIC operation
- Rectangular Basin fits snugly against cabinet walls or corners to maximize valuable storage space.
- Non-clogging vortex impeller designed to handle 3/4" solids and laundry lint
- Corrosion-resistant basin comes pre-plumbed with standard Schedule 40 connections
- Energy-efficient, PSC motor with automatic reset thermal overload protection
- Ball bearings for quiet operation
- Oil-filled motor for maximum heat dissipation and permanent lubrication



SPECIFICATIONS

Construction Materials

Motor Cover: Cast Iron

Volute: Cast Iron

Basin: Polypropylene

Pump Motor

Horsepower: 1/3

RPM: 1750

Volt: 115 AC, 60 Hz

Full Load Amps: 5.0

Type: Permanent Split Capacitor (PSC)

Oil cooled

Insulation: Class B

Motor Duty: Continuous

Auto Reset Thermal Overload Protection

Pump Discharge Size: 2"

System Discharge: 1-1/2"

System Vent Pipe: 1-1/2"

System Inlet: 1-1/2" NPT

Solids Handling: 3/4"

Liquid Temperature (max.): 140° F

Hardware: Stainless Steel

Pump Impeller

Type: Non-Clog Vortex

Material: Impact Resistant Thermoplastic

Pump Bearings

Ball

Pump Shaft Seal

Carbon / Ceramic Mechanical Seal

Power Cord

Grounded three-prong, water-resistant

10' Cord Length

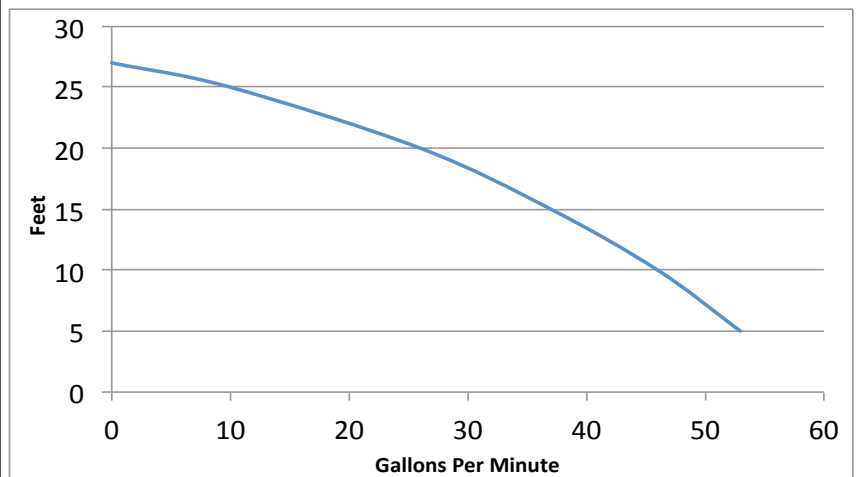
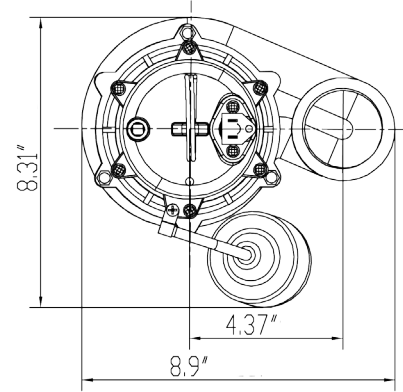
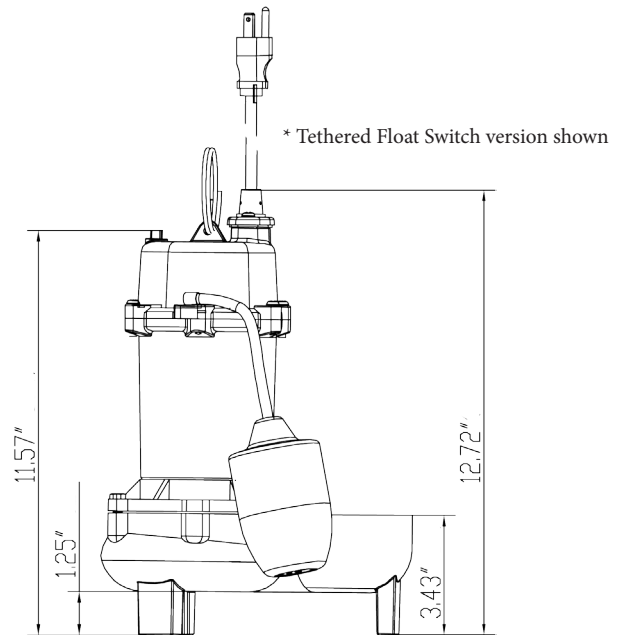
Switch

Vertical Mechanical Float

Shut Off Head: 27'

Maximum Flow: 3500 GPH

Model Number: RLT300V



Total Head (Ft)	5'	10'	15'	20'	27'
Gallons Per Minute	53	46	37	26	0



© 2016 RAYBEND®